

2410MD-HSN

HD Miniature Monitoring Downconverter

The 2410MD-HSN Monitoring Downconverter provides an inexpensive method of confidence monitoring your 1.5Gb/s HD signals on standard definition monitors. This High Definition Downconverter is ideal to use with your existing standard resolution monitors whether they have Composite Analog or Serial Digital inputs. The 2410MD-HSN accepts 1080i/1080psF and 720p and provides a fixed output frame rate (selectable to 50 or 60Hz) regardless of the input 720/1080 rate. Pedestal is selectable on/off when output is NTSC.

In segmented frame mode, the 2410MD-HSN down converts the 1080p/24sF input video to 525i/60 with a 3:2 pulldown or 625i/50 with a 24:25 pulldown. The 2410MD-HSN repeats fields to create the 3:2 or 24:25 pulldown of the picture content with a random pulldown cadence on the downconverted output.



Features & Benefits

Indicator LED

- Signal presence
- Module Status

Down-conversion Format

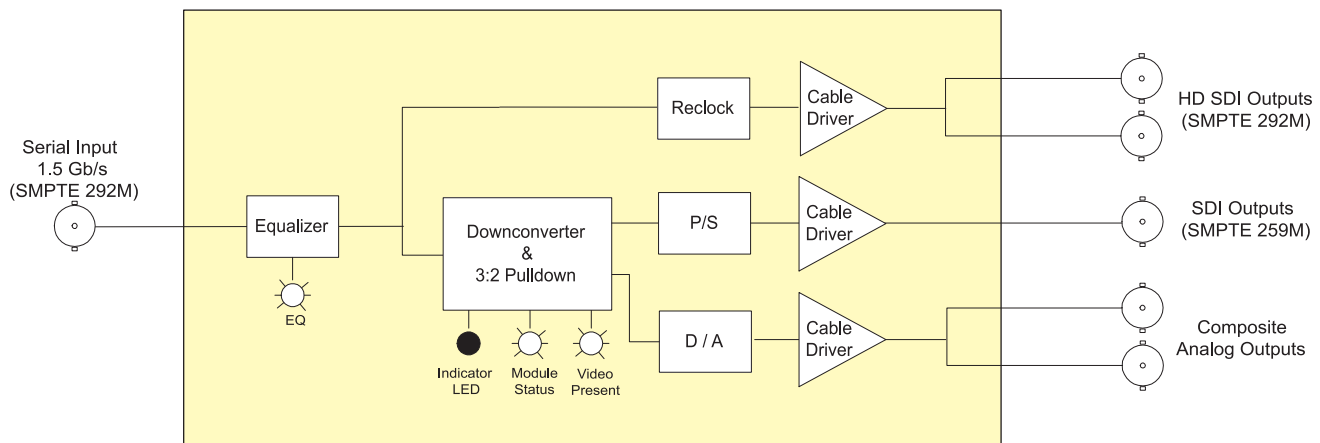
- Letter Box
- Side Crop
- 4x3 Squeeze
- On-screen markers show 4:3 aspect ratio and safe area

Input

- Serial digital 1.5Gb/s HD
- SMPTE 292M Standards: 1080i/60, 1080i/59.94, 1080i/50, 720p60 & 720p/59.94, 1080p/24sF, 1080i/23.98sF & 1080p/25sF

Output

- 2 HD 1.5Gb/s reclocked outputs
- 2 NTSC down converted outputs
- 1 SD down converted output



Specifications

Serial Video Input

Standard: SMPTE 292M, 1080i/60, 1080i/59.94, 1080i/50, 1080p/24sF, 1080p/23.98sF, 1080/25sF, 720p60 & 720p/59.94,
Connector: 1 BNC per IEC 60169-8 Amendment 2
Impedance: 75Ω
Equalization: Automatic 75m @ 1.5Gb/s with Belden 1694A (or equivalent)

HD Reclocked Video Output

Standard: Same as input
Connectors: 2 BNC per IEC 60169-8 Amendment 2
Signal Level: 800mV nominal
DC Offset: 0V ±0.5V
Rise and Fall Time: 200ps nominal
Overshoot: < 10% of amplitude
Wide Band Jitter: < 0.2 UI

SD Serial Digital Video Output

Standard: Serial component 270Mb/s (SMPTE 259M-C)
525i/59.94 or 625i/50 Dip Switch selectable
Connectors: 1 BNC per IEC 60169-8 Amendment 2
Signal Level: 800mV nominal
DC Offset: 0V ±0.5V
Rise and Fall Time: 740ps nominal
Overshoot: <10% of amplitude
Return Loss: > 15dB
Wide Band Jitter: < 0.2 UI

Analog Video Output

Standard: Analog composite NTSC or Analog composite PAL Dip Switch selectable
Connectors: 2 BNC per IEC 60169-8 Amendment 2
Signal Level: 1V p-p nominal, internally adjustable
DC Offset: 0V ±0.1V
Return Loss: > 45dB up to 6MHz
Impedance: 75Ω

Electrical

Voltage: Auto ranging 100-240VAC 12VDC 10W (power adapter included)
Power adapter UL listed
Safety: Complies with EU safety directive
Complies with FCC Part 15 Class A
EMI/RFI: EU EMC Directive

Physical

Dimensions: 6" L x 4" W x 1" H (152mm L x 115mm W x 25mm H)
Weight: 0.5lbs (0.28kg)

Ordering Information

2410MD-HSN HD Miniature Monitoring Downconverter with 24sF processing (with power supply)

Note: Enclosure with side mount flanges ships standard

Ordering Options Case Option Suffix

+NF Enclosure without mounting flanges