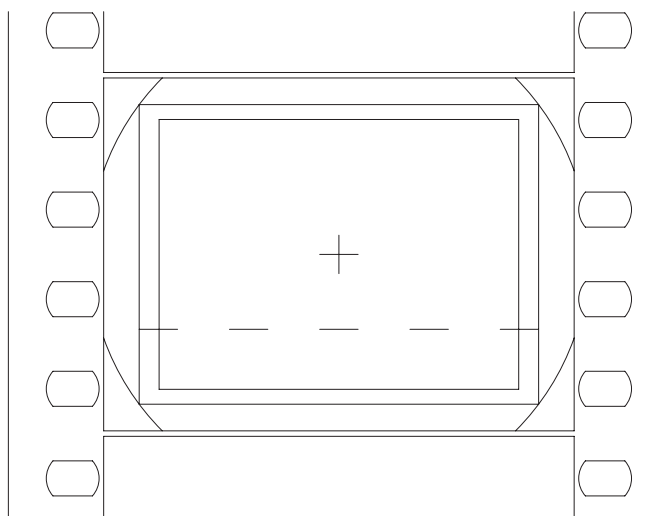
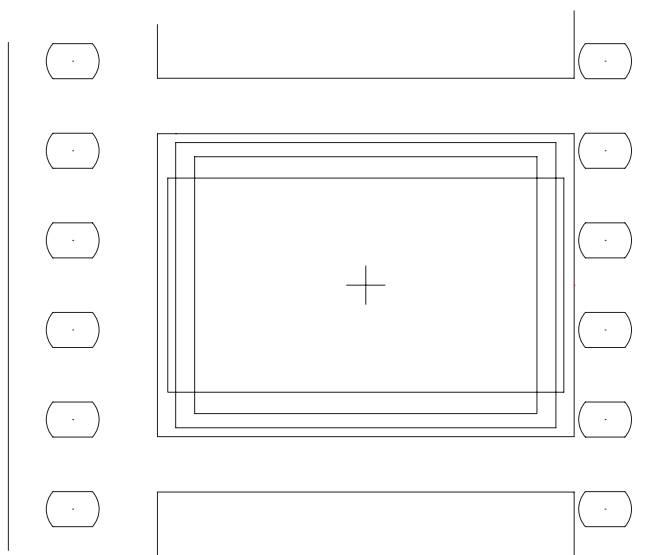


FILM FORMATS AND EXTRACTION AREAS



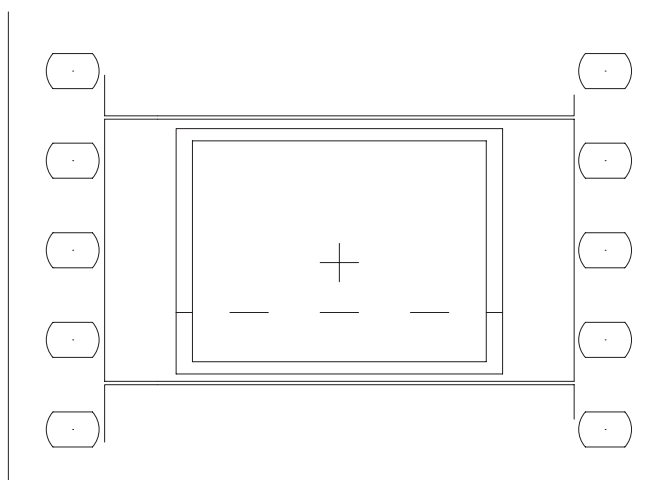
SUPER 35MM FOUR PERF:

Camera Aperture	0.980" x 0.735"
HDTV Transmitted	0.832" x 0.468"
NTSC Transmitted	0.832" x 0.624"
NTSC Safe Action	0.749" x 0.562"
Lens Coverage Diameter	1.040"



ACADEMY FOUR PERF:

Camera Aperture	0.868" x 0.631"
1.85:1 Projection	0.825" x 0.446"
NTSC Transmitted	0.792" x 0.594"
NTSC Safe Action	0.713" x 0.535"



SUPER 35MM THREE PERF:

Camera Aperture	0.980" x 0.546"
HDTV Transmitted	0.681" x 0.383"
NTSC Transmitted	0.681" x 0.511"
NTSC Safe Action	0.612" x 0.460"