

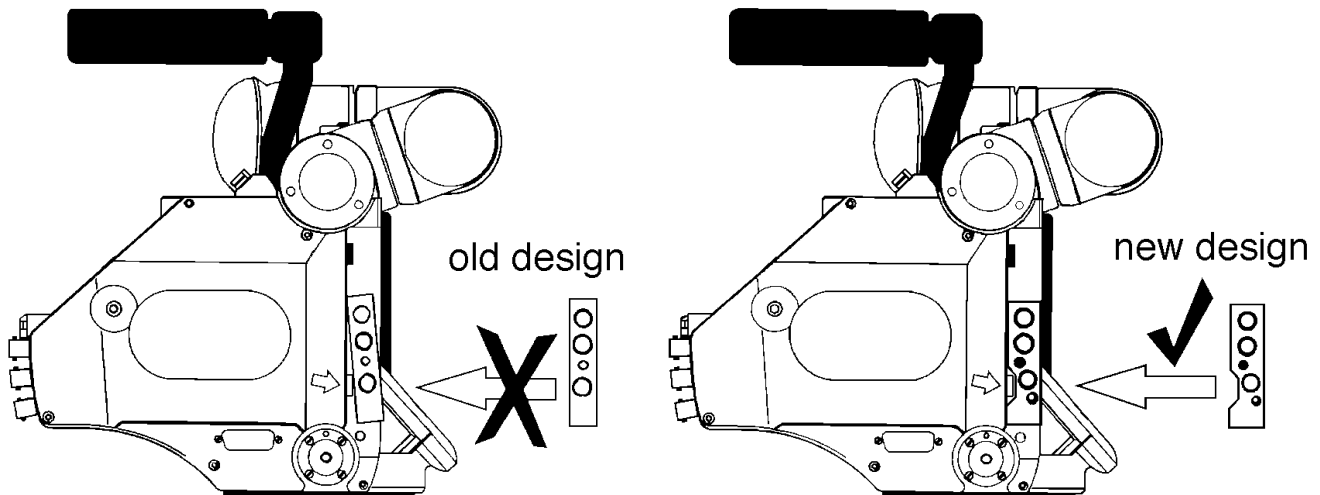
New 24 V Splitter Box for 435

Summary

This note provides information on a 24 V Splitter Box for the 435 that should be used with the 435 IVS.

Description

The old 24 V Splitter Box (also called "ZV-3", "24V Adapter", or "Multi-Accessory Connector Box, 24 V") no longer fits on the 435 camera body when the Integrated Video System (IVS) is installed. A new 24 V Splitter Box with a re-designed casing takes its place. Please contact your local ARRI dealer for further information.



Part Numbers

IVS for NTSCK2.47232.0 (US catalog number: 339-834)

IVS for PALK2.47118.0 (US catalog number: 339-835)

435 24V Splitter BoxK2.52001.0 (US catalog number: 339-510)

Please note that the new 24 V Splitter box has a modified design, but retains the old part number.

Cross Reference

- ARRI Technical Note P-1017: 435 Power Requirements

Article Change History

May 11th, 1998 Article was created.

Keywords

435, Integrated Video System, IVS, Right Side Run Button, 24V Adapter, ZV-3, Multi-Accessory Connector box 24 volt

For more information on this issue, please contact your local ARRI representative.